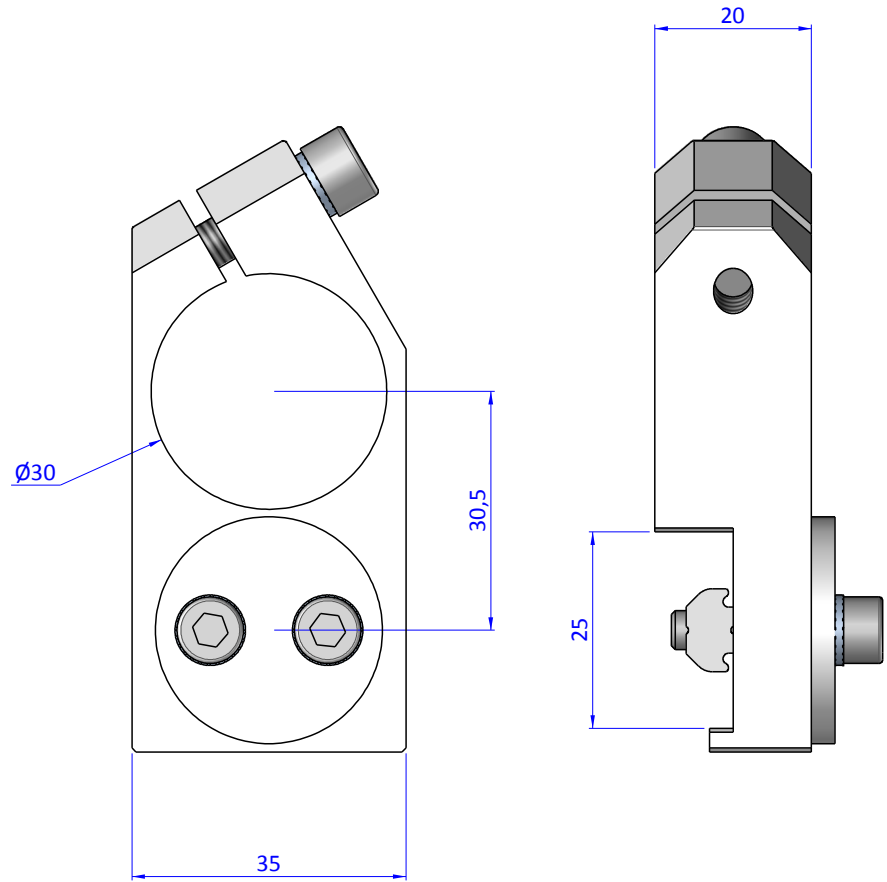
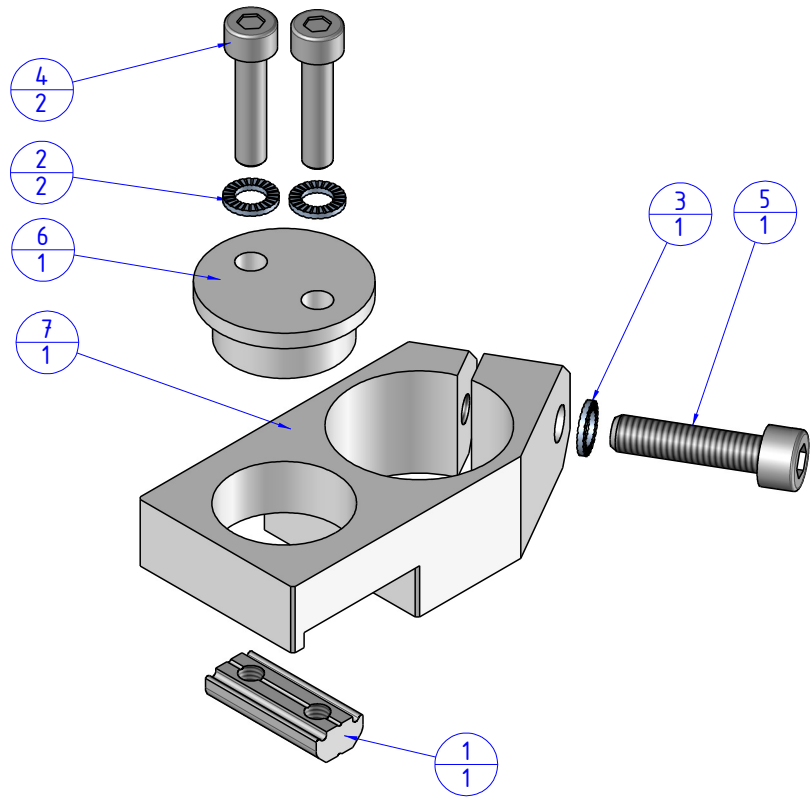


THE PROPERTY OF THE DRAWING IS ESTABLISHED BY LAW. IT IS FORBIDDEN TO PRODUCE OR SHOW IT TO THIRD PARTY, WITHOUT A WRITTEN AGREEMENT.

Item	Name	Q. ty
1	CA.GWP.5.15	1
2	R.5.SCH	2
3	R.6.SCH	1
4	V.TCE5x22	2
5	V.TCE6x25	1
6	WST.30.1	1
7	WST.30.X	1



Format A3

UNI 936-76

		DESIGNED FROM		REVIEW
		FPSERVICES		A
GENERAL TOLERANCE		DATE	WEIGHT	
UNI - ISO 2768		30/04/2016	0,094kg	
CLASSE f		CODE		
		CA.WST.30.X		